

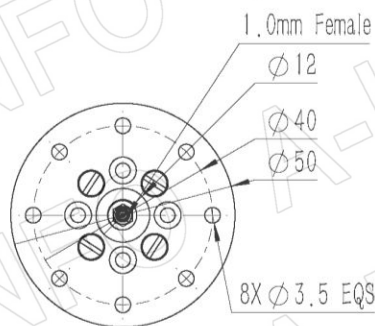
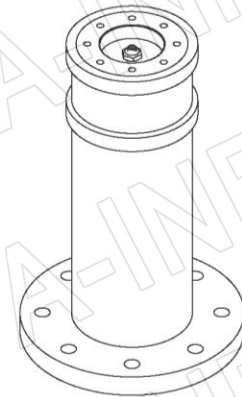
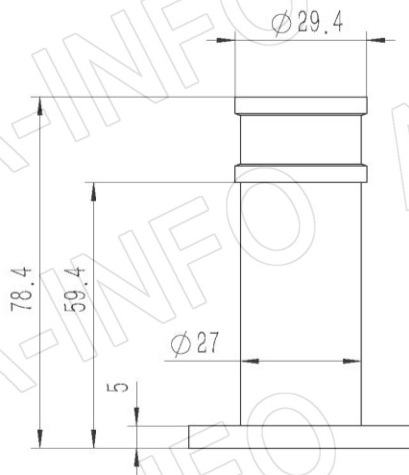
Technical Specification



| | |
|-----------------------|----------------|
| Frequency Range(GHz) | 10.0 - 110.0 |
| Gain(dBi) | 4 Typ. |
| Polarization | Vertical |
| VSWR | 2.0:1 Typ. |
| Connector | 1.0mm-Female |
| Power Handling (W CW) | 3 Max. |
| Material | Al |
| Size(mm) | 50 x 50 x 78.4 |
| Net Weight(Kg) | 0.07 Around |

Outline Drawing (Size: mm)

1.0mm-Female output (P/N: SZ-100011000/P)



AINFO Inc.

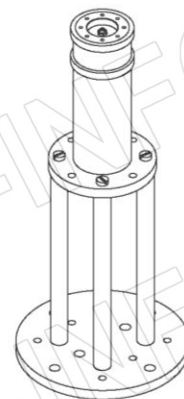
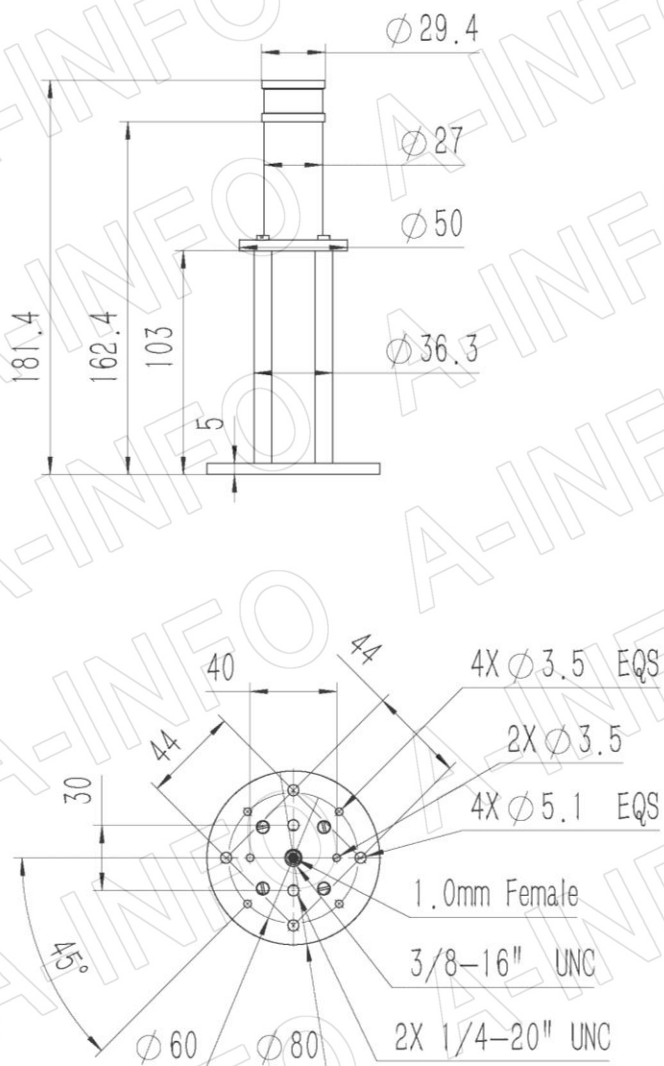
Page 1 of 21

China(Beijing): Tel: (+86) 10-6266-7326,
China(Chengdu): Tel: (+86) 28-8519-2786,
USA: Tel: (+1) 949-639-9688,

(+86) 10-6266-7327 Fax: (+86) 10-6266-7379
(+86) 28-8519-3044 Fax: (+86) 28-8519-3068
(+1) 949-639-9608 Fax: (+1) 949-639-9670

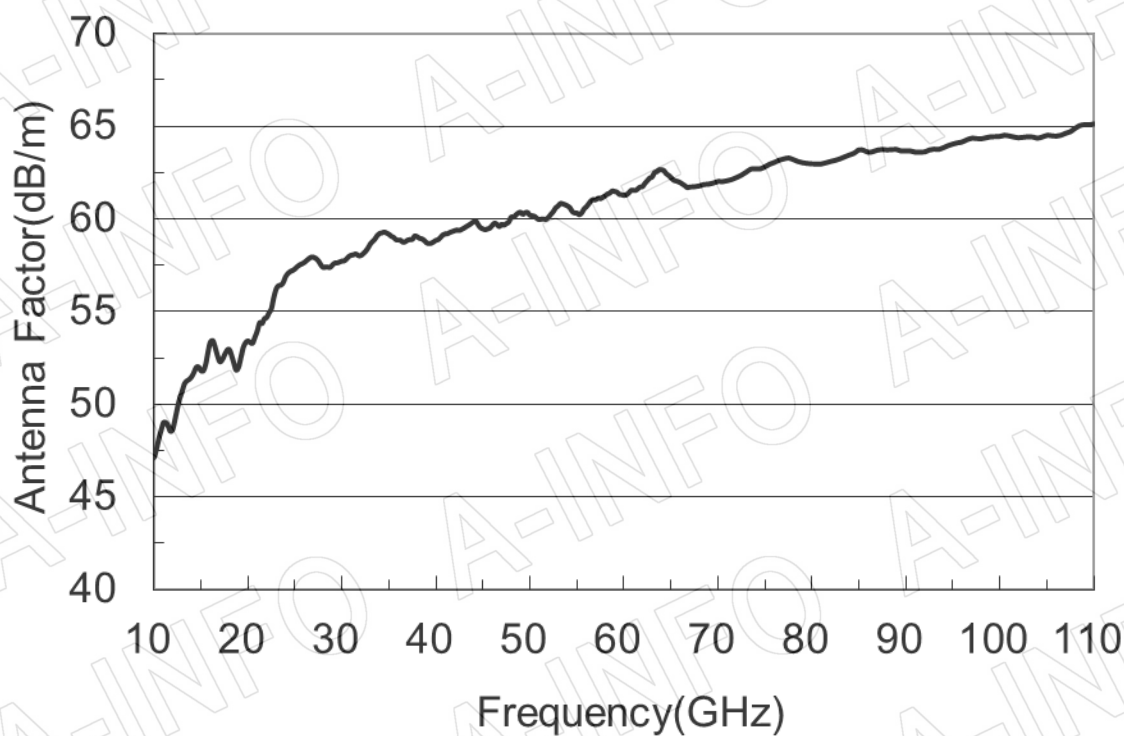
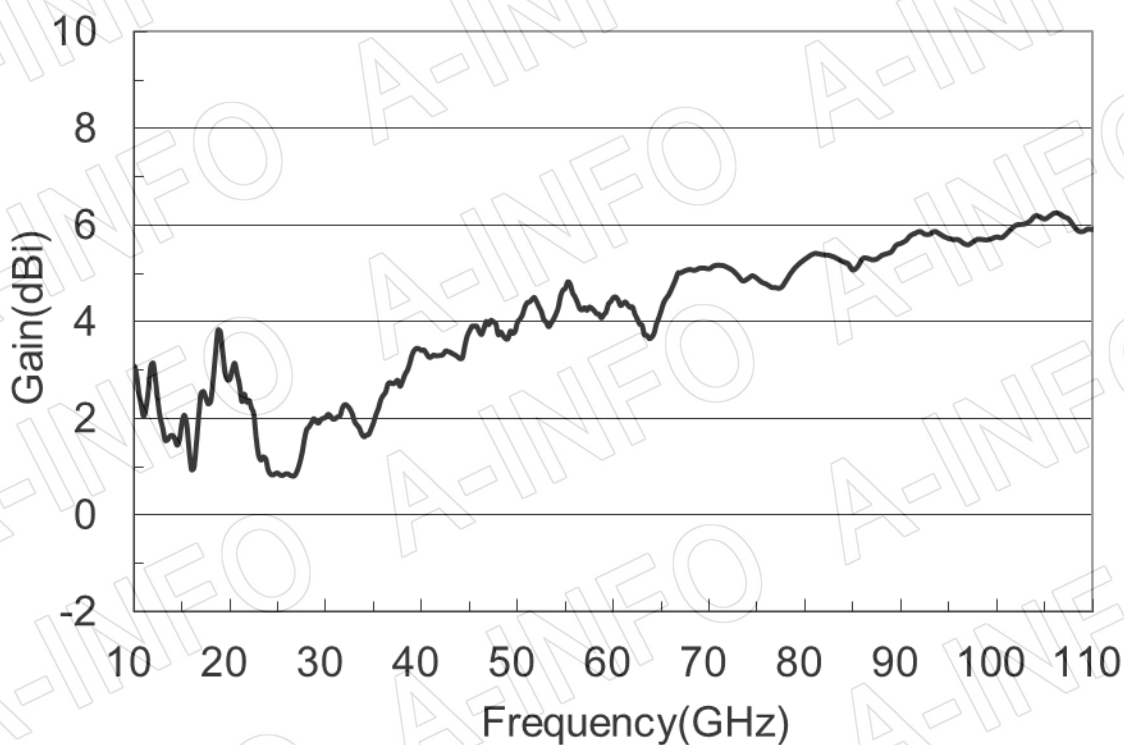
Website: www.ainfoinc.com
Email: sales@ainfoinc.com

1.0mm-Female output with Round Mounting Bracket (Option, P/N: SZ-100011000-MB2)

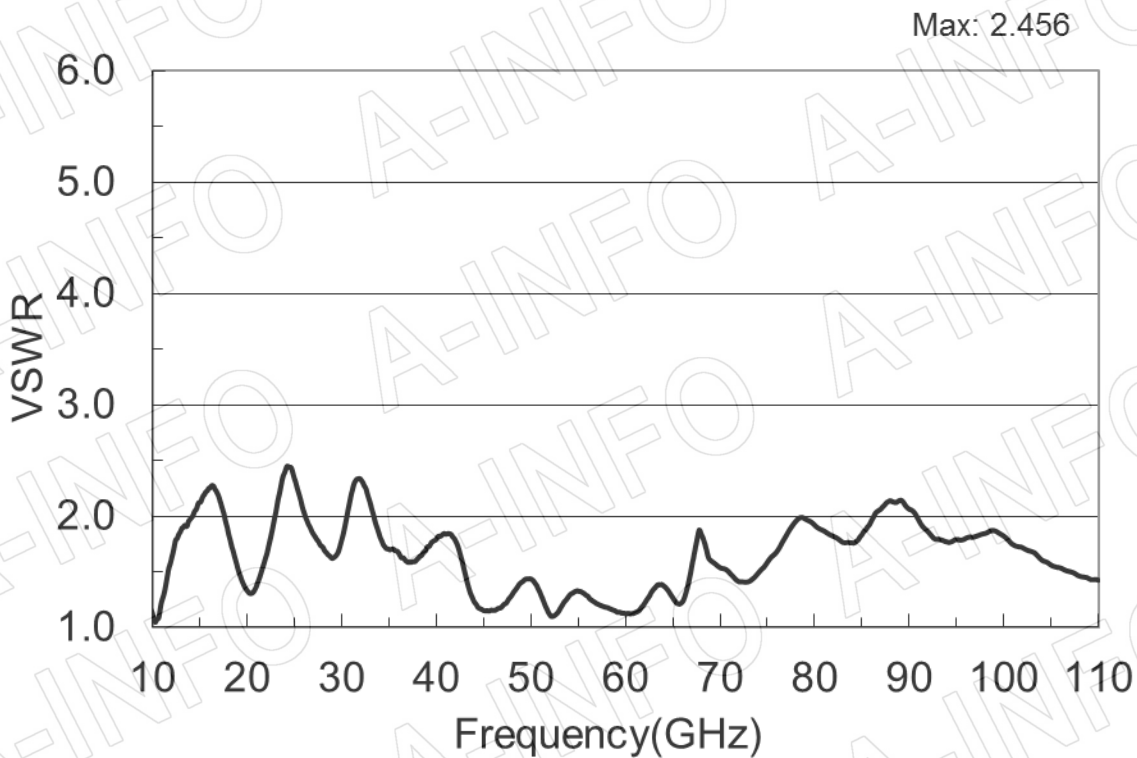


Test Results

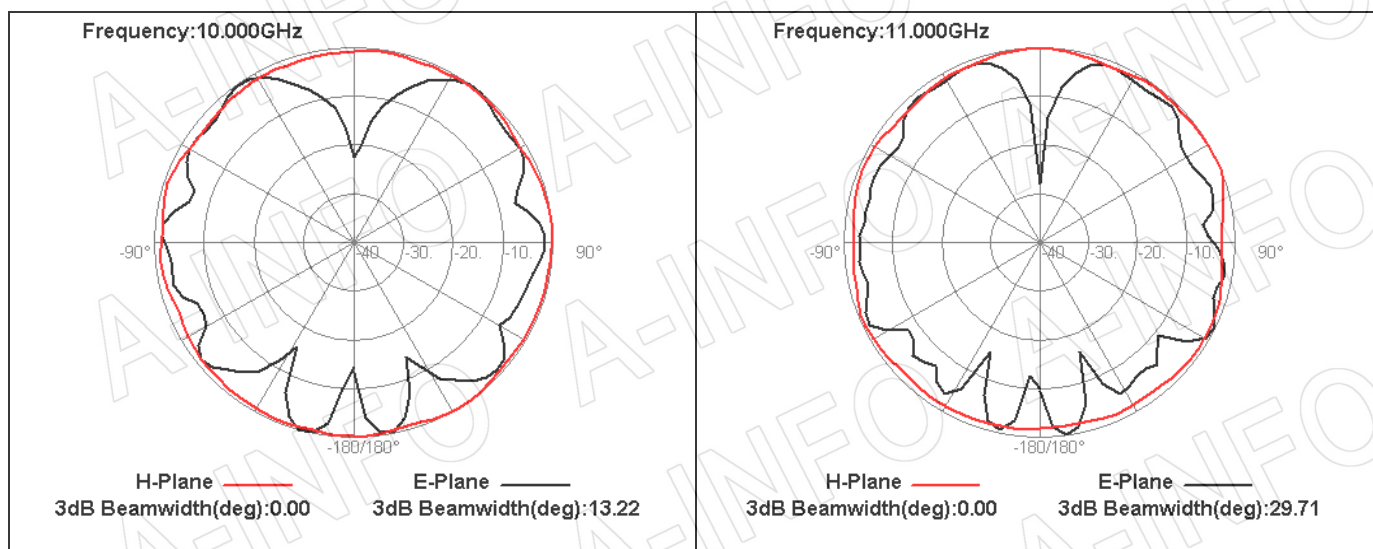
1. Gain & Antenna Factor



2. VSWR



3. Pattern



AINFO Inc.

Page 4 of 21

China(Beijing): Tel: (+86) 10-6266-7326,
China(Chengdu): Tel: (+86) 28-8519-2786,
USA: Tel: (+1) 949-639-9688,

(+86) 10-6266-7327 Fax: (+86) 10-6266-7379
(+86) 28-8519-3044 Fax: (+86) 28-8519-3068
(+1) 949-639-9608 Fax: (+1) 949-639-9670

Website: www.ainfoinc.com
Email: sales@ainfoinc.com

