

NEW
system
2023



titan (series)
auto-dock manipulator
serving various
load capacities

esmo
semicon

key features

new manipulator series with various load capacities:

- up to 450 kg (992 lbs)
- up to 800 kg (1,764 lbs)
- up to 1,050 kg (2,315 lbs)

fully automated docking or partial manual control

new lift system (Z-axis, up/down) with fork-lift rails

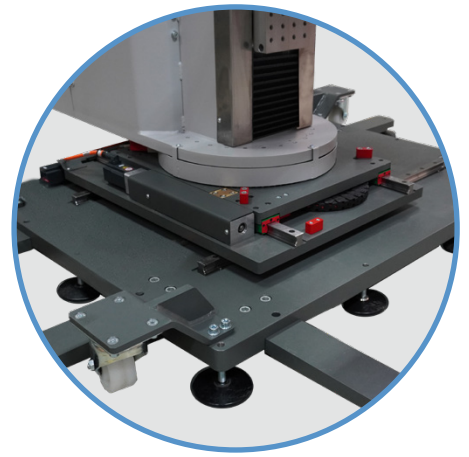
spring-loaded winch system

potentiometer included for force regulation stopping

tumble axis manual or electrical

spring-loaded theta compliance

slim column design with control cabinet at the back



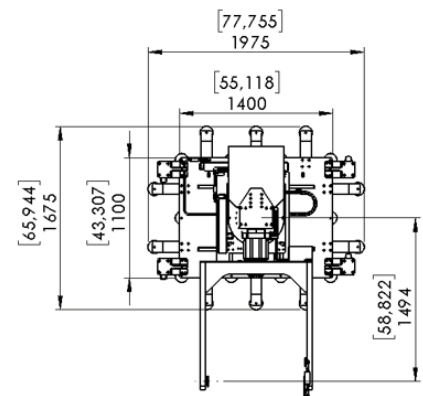
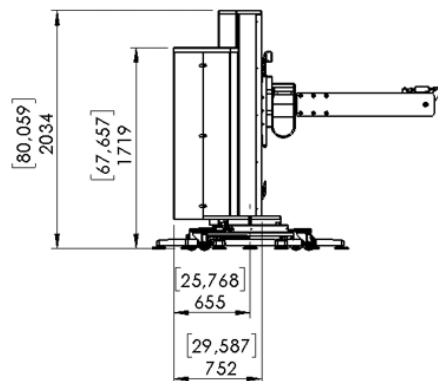
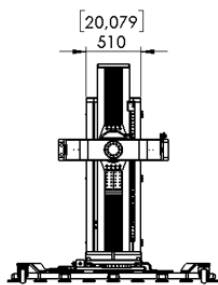
technical data

tumble motion: 90° (± 5°)

rotary column: 90° (± 5°)

twist motion: 180°

footing: x-y movement



esmo Europe Rosenheim

esmo AG
Brueckenstrasse 1
83022 Rosenheim
Germany

P +49 (8031) 233 88 0
F +49 (8031) 233 88 10

sales@esmo-ag.com

esmo USA Sacramento

esmo USA Corp.
1020 Winding Creek Road
Suite #120
Roseville, California 95678
USA

P +1 (916) 307 6345
F +1 (916) 307 6341

sales@esmo-usa.com

esmo Asia Singapore

esmo Asia Pte. Ltd.
115 Eunos Avenue 3
#05-03
Singapore 409839
Singapore

P +65 (656) 288 57
F +65 (656) 288 60

sales@esmo-asia.com

esmo China Shanghai

esmo Asia North Co. Ltd.
Building 5-6 N. 388 Xin Run Rd.
Xin Qiao Industrial Zone
Song Jiang District
201612 Shanghai · China

P +86 (21) 5768 7228 + ex. 201
F +86 (21) 5768 7132

info@esmo-ag.com.cn

esmo Taiwan Zhubei

esmo TW Ltd. Co.
9F., No. 247, Dong Sec. 1,
Guangming 6th Rd.,
Zhubei City · Hsinchu County
302044 · Taiwan (R.O.C.)

M +886 932-290-662
M +886-988-313-705

sales@esmo-asia.com